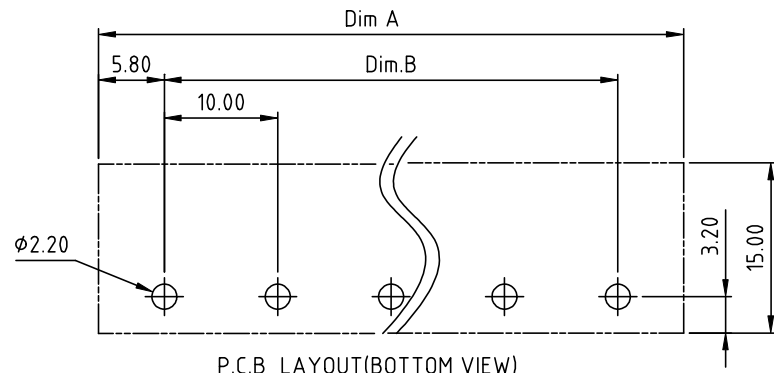
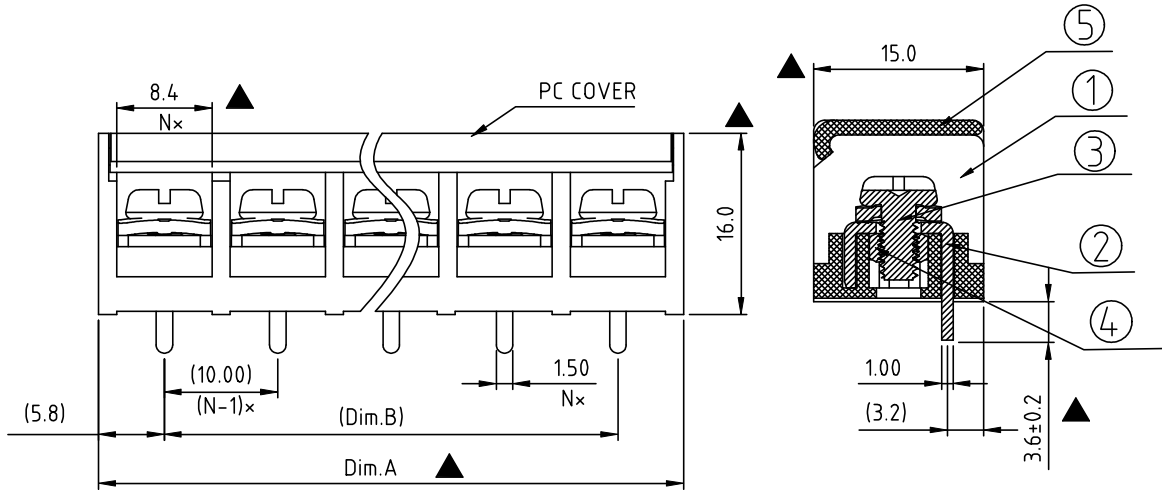
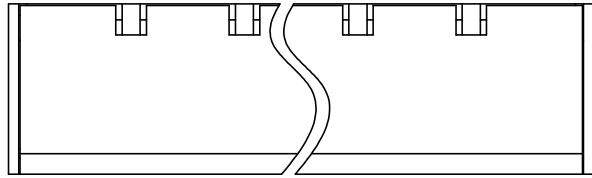


RoHS Compliant



P.C.B LAYOUT (BOTTOM VIEW)

N=Number of poles
Dimension A & B

Dim.A	$N \times 10.0 + 1.6$
Dim.B	$(N-1) \times 10.0$

Dimension A	Tolerance
>6~30	±0.30
>30~120	±0.40
>120~400	±0.60

Rev.	SIGN	DATE	DESCRIPTION	APPROVER
B	—	2017.03.01	The first release	Guoxue
C	△	2020.07.23	TUV is change from to	Johnson
	△	2020.07.23	Update the TUV Electrical parameters.	Guoxue
	△	2020.07.23	Add the RoHS Compliant.	Guoxue
	△	2020.07.23	Add "RATED IMPULSE WITHSTAND VOLTAGE 6KV "	Guoxue
	△	2020.07.23	Remove plating specification	Guoxue
△	2020.07.23	Add the "Reference dimension"	Guoxue	

THIS IS CAD DRAWING, DO NOT REVISE MANUALLY!!!

MATERIALS ELECTRICAL	cULus	TUV (EN/IEC 60947-7-4)
RATED VOLTAGE & CURRENT:	300 V, 35A	400V (III/3) , 57A
WITHSTAND VOLTAGE:	AC 2000 V/Min	6.0KV △
RATED IMPULSE WITHSTAND VOLTAGE:		
INSULATION RESISTANCE:	1000 MΩ OR MORE AT DC 500 V	
OPERATING TEMPERATURE RANG:	-40 °C ~ +130 °C	
WAVE SOLDERING TEMPERATURE:	260°C±5°C/5 Sec	
SCREW TORQUE VALUE:	12.0Lb-In.-16.0 Lb-In	1.4N.m-1.8N.m
WIRE RANGE:	8-22 AWG ;	0.34mm ² - 10mm ² (Prepared conductors with insulated fork/ring terminal)

- ① MOLDED PARTS: PBT , UL 94 V-0 BLACK
- ② TERMINAL: COPPER, 1.0t. △
- ③ TERMINAL SCREWS: STEEL , M3.5 △
- ④ TERMINAL NUT: STEEL , M3.5 △
- ⑤ COVER MATERIAL: PC,Transparent .UL94-HB

APPROVAL:

Critical dimension:

△ Reference dimension: (×)The dimensions of pitch are just for reference, take the actual assembly result as a judgment when inserting the terminal block into the PCB hole.

YK 50B xx 2 x x 00G

NO. OF POLES	G:RoHS compliant(lead<4%) in copper alloy
02: 2 POLES	MARK
03: 3 POLES	0: "@ " MAK
04: 4 POLES	1: "ANY" MAK
⋮	TERMINAL & SCREW PLATED
12: 12 POLES	0: TERMINAL & SCREW: G/F
	1: TERMINAL: G/F, SCREW: Zinc
	2: TERMINAL: Sn, SCREW: G/F
	3: TERMINAL: Sn, SCREW: Zinc

Amphenol
ANYTEK

CUSTOMER COPY

ALL RIGHTS RESERVED. REPRODUCTION OR ISSUE TO THIRD PARTIES IN ANY FORM WHATSOEVER IS NOT PERMITTED WITHOUT WRITTEN AUTHORITY FROM THE PROPRIETOR. PROPERTY OF ANYTEK TECHNOLOGY CO., LTD

TITLE		YK-50B Without Flange Series		
PART NO.	YK50Bxx2xx00G	DWG NO.	8YK0001-50B	
APPROVED	CHECKED	DESIGNED	DRAWN	CUST NO.
		Guoxue 2020.07.23	Guoxue 2020.07.23	
				Tolerance
				X. ±0.50
				X.X ±0.30
				X.XX ±0.10
				X° ±1°
SHEET: 01/01		UNIT: mm	SCALE: NONE	
		REV.: C		