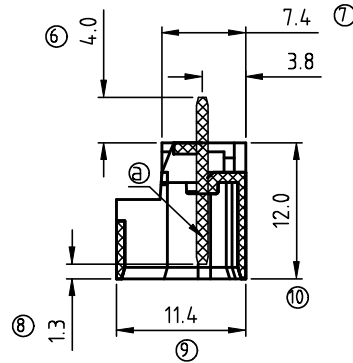
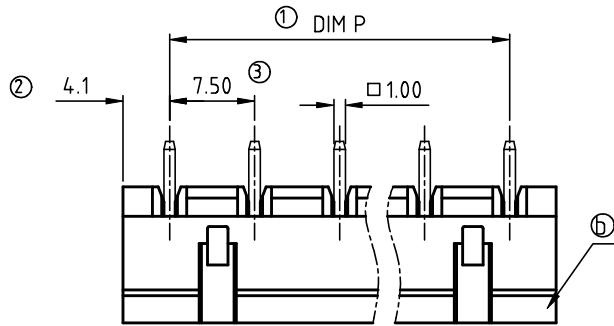


SIGN	DATE	DESCRIPTION	APPROVER
<b>THIS IS CAD DRAWING, DO NOT REVISE MANUALLY!!!</b>			



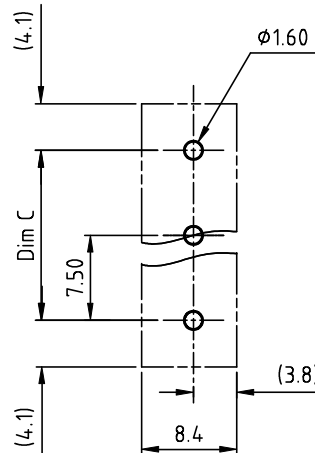
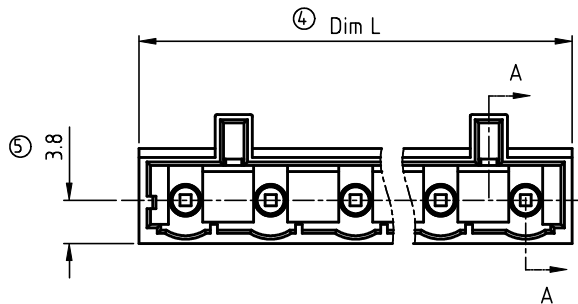
SECTION A-A

Material:

- Item a :Male contact pin: Copper Tin plated
- Item b :Terminal(housing): Thermoplastic (UL94V-0)

Electrical: cULus

- Voltage rating: 300V
- Current rating: 8A
- Withstanding Voltage: 1.6 KV
- Operating temperature: -40°C to +115°C
- Soldering temperature: 250°C±10°C/5 Sec
- Safety Approval:



P.C.B LAYOUT

NC xx A 2 x 0 xxxx G

- 02 2 poles
  - 03 3 poles
  - ... ..
  - 16 16 poles
- COLOR  
 0: BLACK  
 5: GREEN (RAL6018/T)  
 6: BLUE  
 8: GREY (RAL7035/D)
- G: RoHS compliant (lead<4%) In copper Alloy  
 H: RoHS compliant (lead<1000ppm) In copper Alloy
- 0000: Standard  
 Any special item by customer request.  
 please contact sales department.

N = Number of poles  
 Dim L=(N×7.5)+0.7  
 Dim P=(N-1)×7.5

	Dim L	Dim P
2-6p	±0.10	±0.10
7-12p	±0.25	±0.20
13-16p	±0.40	±0.30

**ANYTEK**

**CUSTOMER COPY**

ALL RIGHTS RESERVED. REPRODUCTION OR ISSUE TO THIRD PARTIES IN ANY FORM WHATSOEVER IS NOT PERMITTED WITHOUT WRITTEN AUTHORITY FROM THE PROPRIETOR. PROPERTY OF ANYTEK TECHNOLOGY CO., LTD

TITLE		NC 7.5mm Vertical W/hook holder (100% protected against mismatching)			
PART NO.		NCxxA2x0xxxxG		DWG NO.	8NC0303
APPROVED	CHECKED	DESIGNED	DRAWN	CUST NO.	
		Runner 2010.11.03	Runner 2010.06.10		
					Tolerance
					UNIT: mm
				SCALE: 2/1	X.X ±0.30
				SHEET: 01/01	X.XX ±0.10
				REV.: B	X° ±1°